

AFTERCARE INSTRUCTIONS

Excessive exposure to water will deteriorate the furniture. Wipe away any water splashes or condensation after use. **Do not allow water to sit on the countertops or inside the drawers**

All bathrooms should be well ventilated. We recommend the installation of a suitable extractor fan.

Clean with a soft damp cloth only.

Use a wax free polish if one must be used.

CUSTOMER SERVICE

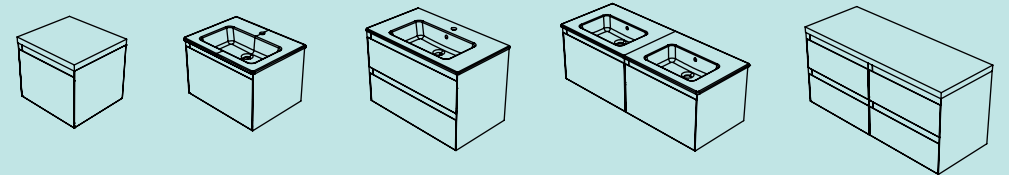
t: +44(0)208 686 5100
e: technical@saneux.com

Iain Stewart Centre, Beehive
Ring Road, Gatwick, RH6 0PB

www.saneux.com

UNI

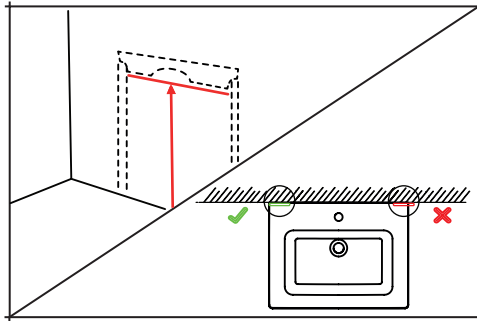
INSTALLATION INSTRUCTIONS



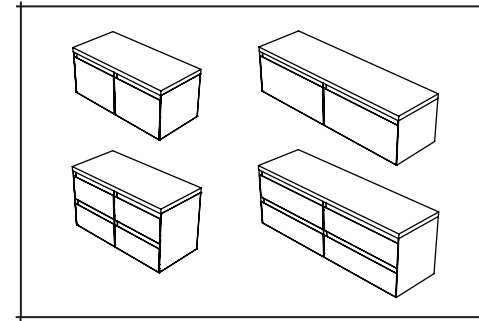
Wall Mounted Furniture

English Oak

saneux

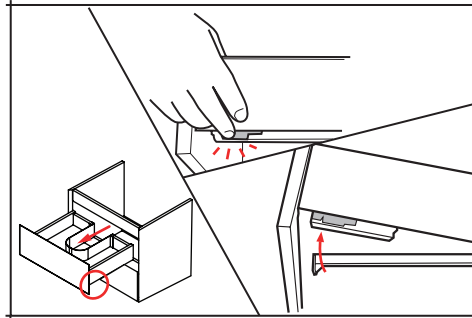


1. Mark the location of both mounting plates ensuring that they are positioned inside the side panels of the unit. The recommended height for the unit including basin is 850mm.
The fixings provided are for solid walls, for hollow or stud walls use specialist fixings.

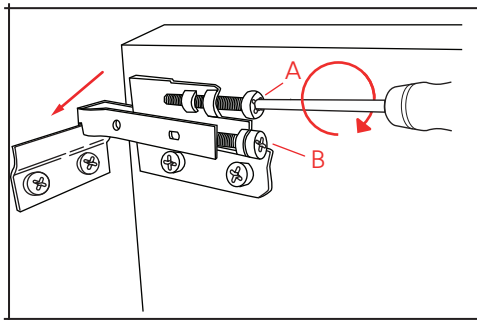
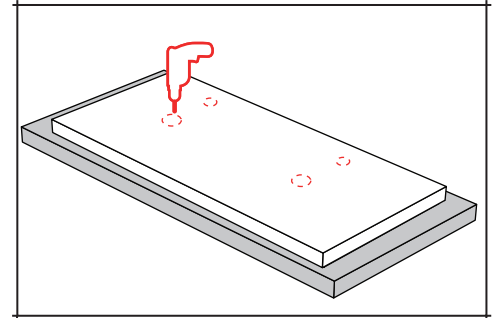


5. For the UNI60W double models. Install both UN080W units on the wall independently, ensuring that they are level. Then install the countertop, securing it to the units with a suitable silicone adhesive.

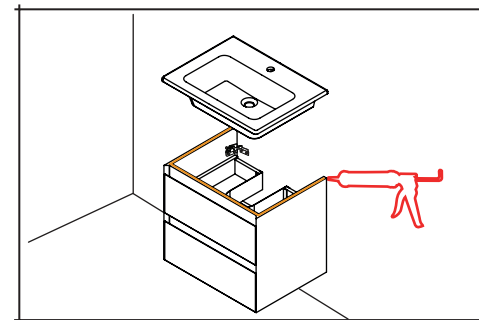
2. To remove the drawer from the unit, fully extend the drawer. Under either side of the drawer are two plastic clips that can be pulled to release the drawer from the runners.



6. When installing with a countertop, offer the countertop to the wall mounted units and mark the position of the waste and tap holes. Place the countertop on top of a surface such as MDF and make the required holes. **Make sure to thoroughly apply silicone around the holes to protect the countertop from any leaks**



3. Locate the hangers onto the wall mounting plates. Screw A adjusts the height of the unit. Screw B tightens the unit against the wall.



7. Locate the plates on the inside walls of the unit onto the wall mounting plates. Secure the unit to the wall by tightening the screw. Use a spirit level to ensure the unit is balanced horizontally.

4. Make all plumbing connections and test for any leaks. We recommend the following saneux waste accessories:
WA005 - Low profile waste trap.
530S- Click waste.
WA006 - Super low profile waste trap & click waste.

